



Analog Input

A 2 channel analog input that connects to any device with analog output (Internally connected to an ADC) and transmits the raw analog values.

Integration services are offered with this device.

NODE FEATURES	SYSTEM ADVANTAGES	NODE PARAMETERS
<ul style="list-style-type: none"> ▪ 1-2 Year Battery Life ▪ Non-Volatile Memory ▪ Audible Notification ▪ IP67 Enclosure ▪ Internal USB Interface ▪ LoraWAN or Sigfox capable ▪ Motion/Vibration Detection 	<ul style="list-style-type: none"> ▪ Onboard Logging ▪ Mounting Detector ▪ Battery Life Indicator ▪ Config Setup Wizard ▪ Hosting Included ▪ Dashboard Included ▪ 2 Year Warranty 	<ul style="list-style-type: none"> ▪ Configurable Transmission Interval ▪ Configurable Logging Interval ▪ Modes: Interval, Threshold, Delta, Motion, Hybrid ▪ 1000+ Logging Event Buffer ▪ Primary Cell Battery Required



The **neroNODE**.Baseboard is designed for the **Enterprise/ Commercial Sector**.

CERTIFICATION



TECHNICAL SPECIFICATIONS

FEATURES

LoRa Radio		Sigfox Radio	
Operating Frequency Bands:			
RC1 - 863-870MHz (EU868)	RC2 - 902-928MHz (US915)	RC4 - 915-928MHz (AU915-928)	
Maximum Tx Gain:			
20dBm (LoRa & Sigfox),			
Minimum Rx Sensitivity: *			
-122dBm Sigfox		-135,5dBm (LoRa)	
3.6V, 2600mAh AA battery			

INTERFACE & CONTROL

Description	Spec / Range / Type
Battery Specifications	1x 2600mAh 3,6V AA battery
LoRa Radio Frequency	RC1: 868,13 MHz Class 0
	RC2: 902.2 MHz Class 1
	RC4: 920.8 MHz Class 1
Sigfox Radio Frequency	RC1: 868,13 MHz Class 0
	RC2: 902,2 MHz Class 1
	RC4: 920,8 MHz Class 1
Sigfox Receive Sensitivity*	-122 dBm
Sigfox Transmit Power	4,5 dBm (2,82 mW) To 20 dBm (100 mW)
LoRa Transmit Power	10 dBm (10 mW) To 20 dBm (100 mW)

PHYSICAL CHARACTERISTICS:

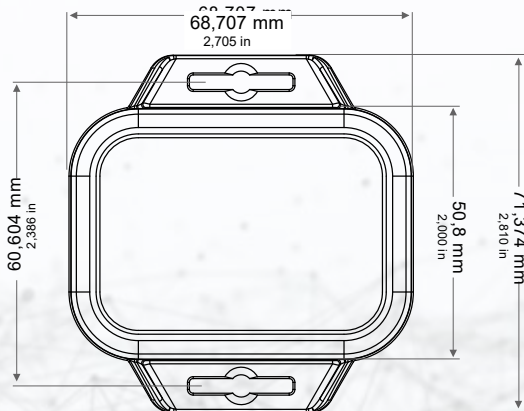
IP67 Enclosure.		
Height	1.300in, 33.02mm	
Length	2.705in, 68.707mm	
Width	2.000in, 50.80mm	
Weight	Without Battery: 86g	With Battery: 105g

BW \ SF	06	07	08	09	10	11	12
125 kHz	-117,5	-122,5	-125,5	-128,5	-131,0	-133,5	-135,5
250 kHz	-114,0	-119,0	-122,0	-125,0	-127,5	-130,0	-133,0

The Spreading Factor(SF) using LoRa™ modulation
*The neroNODE range has only been Certified for Uplink on Sigfox

BATTERY OPTIONS:

Manufacturer	Part Number	Voltage	Capacity
EVE	ER14505V	3,6 V	2,6 Ah
TADIRAN	SL-360	3,6 V	2,4 Ah
SAFT	LS14500	3,6 V	2,6 Ah



Device to Dashboard (D2D) with the neroHIVE Software Service

Our D2D solution is one smart package. Simply purchase your neroNODE device, enter your details and start enjoying a connected world.

neroHIVE is available on iOS and Android as a web-based application with optional data storage, push notifications and customisable UI.



REGIONS



9 FREDA ROAD, BROMHOF, JOHANNESBURG, SOUTH AFRICA

sales@nerospec.com

+27 11 791 2320

