



1 Wire Interface

Interfaces with any sensor that has a one- wire interface. i.e, pH, water levels, hydraulic pressure, temperature, etc.

Integration services are offered with this device.

NODE FEATURES	SYSTEM ADVANTAGES	NODE PARAMETERS
<ul style="list-style-type: none">▪ 1-2 Year Battery Life▪ Non-Volatile Memory▪ Audible Notification▪ IP67 Enclosure▪ Internal USB Interface▪ LoraWAN or Sigfox capable▪ Motion/Vibration Detection	<ul style="list-style-type: none">▪ Onboard Logging▪ Mounting Detector▪ Battery Life Indicator▪ Config Setup Wizard▪ Hosting Included▪ Dashboard Included▪ 2 Year Warranty	<ul style="list-style-type: none">▪ Configurable Transmission Interval▪ Configurable Logging Interval▪ Modes: Interval, Threshold, Delta, Motion, Hybrid▪ 1000+ Logging Event Buffer▪ Primary Cell Battery Required



The **neroNODE.Baseboard** is designed for the **Enterprise/ Commercial Sector**.

CERTIFICATION



TECHNICAL SPECIFICATIONS

FEATURES

LoRa Radio		Sigfox Radio	
Operating Frequency Bands:			
RC1 - 863-870MHz (EU868)	RC2 - 902-928MHz (US915)	RC4 - 915-928MHz (AU915-928)	
Maximum Tx Gain:			
20dBm (LoRa & Sigfox),			
Minimum Rx Sensitivity: *			
-122dBm Sigfox		-135,5dBm (LoRa)	
3.6V, 2600mAh AA battery			

INTERFACE & CONTROL

Description	Spec / Range / Type
Battery Specifications	1x 2600mAh 3,6V AA battery
LoRa Radio Frequency	RC1: 868,13 MHz Class0
	RC2: 902,2 MHz Class1
	RC4: 920,8 MHz Class1
Sigfox Radio Frequency	RC1: 868,13 MHz Class0
	RC2: 902,2 MHz Class1
	RC4: 920,8 MHz Class1
Sigfox Receive Sensitivity*	-122 dBm
Sigfox Transmit Power	4,5 dBm (2,82 mW) To 20 dBm (100 mW)
LoRa Transmit Power	10 dBm (10 mW) To 20 dBm (100 mW)

PHYSICAL CHARACTERISTICS:

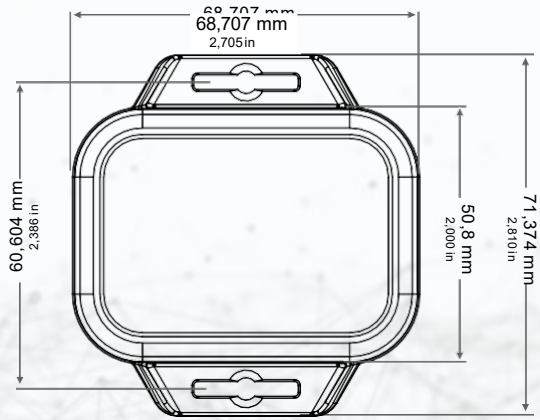
IP67 Enclosure.		
Height	1.300in, 33.02mm	
Length	2.705in, 68.707mm	
Width	2.000in, 50.80mm	
Weight	Without Battery: 86g	With Battery: 105g

BW \ SF	06	07	08	09	10	11	12
125 kHz	-117,5	-122,5	-125,5	-128,5	-131,0	-133,5	-135,5
250 kHz	-114,0	-119,0	-122,0	-125,0	-127,5	-130,0	-133,0

The Spreading Factor(SF) using LoRa™ modulation
 *The neroNODE range has only been Certified for Uplink on Sigfox

BATTERY OPTIONS:

Manufacturer	Part Number	Voltage	Capacity
EVE	ER14505V	3,6 V	2,6 Ah
TADIRAN	SL-360	3,6 V	2,4 Ah
SAFT	LS14500	3,6 V	2,6 Ah



Device to Dashboard (D2D) with the neroHIVE Software Service

Our D2D solution is one smart package. Simply purchase your neroNODE device, enter your details and start enjoying a connected world.

neroHIVE is available on iOS and Android as a web-based application with optional data storage, push notifications and customisable UI.



REGIONS



9 FRED A ROAD, BROMHOF, JOHANNESBURG, SOUTH AFRICA
sales@nerospec.com
 +27 11 791 2320

