



neroNODE Weather

Anytime, Anywhere Live Weather Tracking

This **neroNODE** is designed to track Weather. It allows you to track a wide range of environmental conditions from anywhere in the world with our integrated monitoring software. The **neroNODE Weather** is capable of tracking temperature, humidity, barometric pressure, VOC AQI and detecting lightning, all from one device. An optional sensor could be added to allow for the detection and tracking of rainfall. With non-volatile memory the **neroNODE** can be configured to store sensor data at set intervals between transmissions to allow in-depth analysis once an anomaly is detected.

NODE FEATURES	SYSTEM ADVANTAGES	NODE PARAMETERS
<ul style="list-style-type: none"> 2-5 Year Battery Life Non-Volatile Memory Audible Notification IP67 Enclosure Internal USB Interface LoraWAN or Sigfox Capable Motion/Vibration Detection 	<ul style="list-style-type: none"> Onboard Logging Mounting Detector Battery Life Indicator Config Setup Wizard Hosting Included Dashboard Included 2 Year Warranty 	<ul style="list-style-type: none"> Humidity 3%rH Accuracy Temperature 0.1% Accuracy Barometric Pressure 0.12 Pa Lightning Detection 40KM Lightning Accuracy +-1 Km 1000+ Logging Event Buffer Air Quality Index 0-500



HOME USE

- Personal Weather Station
- Lighting Warning
- Indoor Air Quality Indication



ENTERPRISE USE

- Golf Courses/Parks
- National Weather Tracking
- Outdoor Sports Events



INDUSTRIAL USE

- Chemical Factories/Plants
- Detecting Air Pollution
- Plants & Mining Monitoring

CERTIFICATION



TECHNICAL SPECIFICATIONS

FEATURES

LoRa Radio		Sigfox Radio	
Operating Frequency Bands:			
RC1 - 863-870MHz (EU868)	RC2 - 902-928MHz (US915)	RC4 - 915-928MHz (AU915-928)	
Maximum Tx Gain:			
20dBm (LoRa & Sigfox),			
Minimum Rx Sensitivity: *			
-122dBm Sigfox		-135,5dBm (LoRa)	
3.6V, 2600mAh AA battery			
Operating Temperature Range:			
-40°C~+85°C			
Temperature Probe Range:			
-55°C~+125°C			
Accuracy:			
±0,5°C (±0,1°C available on request),			

INTERFACE & CONTROL

Description		Spec / Range / Type					
Battery Specifications		1x 2600mAh 3,6V AA battery					
LoRa Radio Frequency		RC1: 868,13 MHz	Class 0				
		RC2: 902,2 MHz	Class 1				
		RC4: 920,8 MHz	Class 1				
Sigfox Radio Frequency		RC1: 868,13 MHz	Class 0				
		RC2: 902,2 MHz	Class 1				
		RC4: 920,8 MHz	Class 1				
Sigfox Receive Sensitivity*		-122 dBm					
Sigfox Transmit Power		4,5 dBm (2,82 mW) To 20 dBm (100 mW)					
LoRa Transmit Power		10 dBm (10 mW) To 20 dBm (100 mW)					
BW\SF	06	07	08	09	10	11	12
125 kHz	-117,5	-122,5	-125,5	-128,5	-131,0	-133,5	-135,5
250 kHz	-114,0	-119,0	-122,0	-125,0	-127,5	-130,0	-133,0

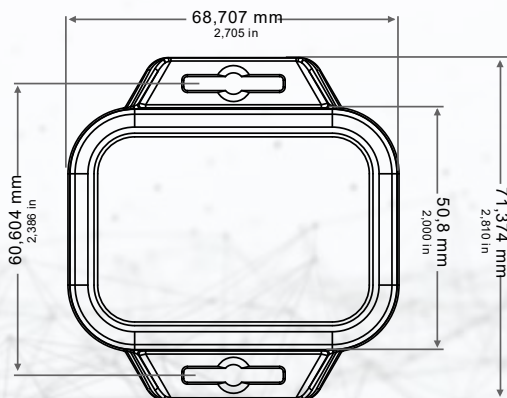
The Spreading Factor(SF) using LoRa™ modulation
*The neroNODE range has only been Certified for Uplink on Sigfox

PHYSICAL CHARACTERISTICS:

IP67 Enclosure.	
Height	1.300in, 33.02mm
Length	2.705in, 68.707mm
Width	2.000in, 50.80mm
Weight	Without Battery: 86g With Battery: 105g

BATTERY OPTIONS:

Manufacturer	Part Number	Voltage	Capacity
EVE	ER14505V	3,6 V	2,6 Ah
TADIRAN	SL-360	3,6 V	2,4 Ah
SAFT	LS14500	3,6 V	2,6 Ah



Device to Dashboard (D2D) with the neroHIVE Software Service

Our D2D solution is one smart package. Simply purchase your neroNODE device, enter your details and start enjoying a connected world.

neroHIVE is available on iOS and Android as a web-based application with optional data storage, push notifications and customisable UI.



REGIONS



9 FRED A ROAD, BROMHOF, JOHANNESBURG, SOUTH AFRICA

sales@nerospec.com

+27 11 791 2320

