



neroNODE.Vibration

The future of multi-use Vibration Monitoring

This neroNODE detects vibration. As an example this neroNODE can be used as a tamper detection device or detecting if pump/ motors/ generators are running. The neroNODE.Vibration has a multitude of uses in personal home implementation such as door detector, or on home permitted fence tampering. With the neroHIVE dashboard you can track all you nodes from anywhere in the world.

NODE FEATURES	SYSTEM ADVANTAGES	NODE PARAMETERS
<ul style="list-style-type: none"> ▪ 1-2 Year Battery Life ▪ Non-Volatile Memory ▪ Audible Notification ▪ IP67 Enclosure ▪ Internal USB Interface ▪ LoraWAN or Sigfox capable ▪ Motion/Vibration Detection 	<ul style="list-style-type: none"> ▪ Onboard Logging ▪ Mounting Detector ▪ Battery Life Indicator ▪ Config Setup Wizard ▪ Hosting Included ▪ Dashboard Included ▪ 2 Year Warranty 	<ul style="list-style-type: none"> ▪ Configurable Logging Interval ▪ Change to "Transmission Mode: Motion" ▪ 1000+ Logging Event Buffer ▪ Primary Cell Battery Required



HOME USE



Home Security



Car/Boat Security



Motorised Fence Alerts



ENTERPRISE USE



Corporate Building generator detection



Store Rooms



Warehouses



INDUSTRIAL USE



Shipping / Container Tampering



Mine Security



Plants & Factory Machine Maintenance Detection

CERTIFICATION



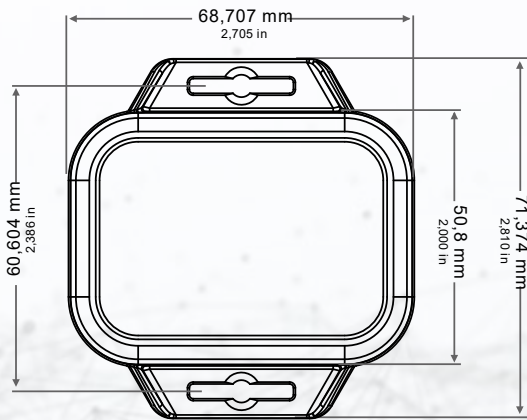
TECHNICAL SPECIFICATIONS

FEATURES

LoRa Radio		Sigfox Radio	
Operating Frequency Bands:			
RC1 - 863-870MHz (EU868)	RC2 - 902-928MHz (US915)	RC4 - 915-928MHz (AU915-928)	
Maximum Tx Gain:			
20dBm (LoRa & Sigfox),			
Minimum Rx Sensitivity: *			
-122dBm Sigfox		-135,5dBm (LoRa)	
3.6V, 2600mAh AA battery			
Operating Temperature Range:			
-40°C~+85°C			

PHYSICAL CHARACTERISTICS:

IP67 Enclosure.		
Height	1.300in, 33.02mm	
Length	2.705in, 68.707mm	
Width	2.000in, 50.80mm	
Weight	Without Battery: 86g	With Battery: 105g



INTERFACE & CONTROL

Description	Spec / Range / Type	
Battery Specifications	1x 2600mAh 3,6V AA battery	
LoRa Radio Frequency	RC1: 868,13 MHz	Class 0
	RC2: 902.2 MHz	Class 1
	RC4: 920.8 MHz	Class 1
Sigfox Radio Frequency	RC1: 868,13 MHz	Class 0
	RC2: 902,2 MHz	Class 1
	RC4: 920,8 MHz	Class 1
Sigfox Receive Sensitivity*	-122 dBm	
Sigfox Transmit Power	4,5 dBm (2,82 mW) To 20 dBm (100 mW)	
LoRa Transmit Power	10 dBm (10 mW) To 20 dBm (100 mW)	

BW\SF	06	07	08	09	10	11	12
125 kHz	-117,5	-122,5	-125,5	-128,5	-131,0	-133,5	-135,5
250 kHz	-114,0	-119,0	-122,0	-125,0	-127,5	-130,0	-133,0

The Spreading Factor(SF) using LoRa™ modulation
 *The NeroNODE range has only been Certified for Uplink on Sigfox

BATTERY OPTIONS:

Manufacturer	Part Number	Voltage	Capacity
EVE	ER14505V	3,6 V	2,6 Ah
TADIRAN	SL-360	3,6 V	2,4 Ah
SAFT	LS14500	3,6 V	2,6 Ah



Device to Dashboard (D2D) with the neroHIVE Software Service

Our D2D solution is one smart package. Simply purchase your neroNODE device, enter your details and start enjoying a connected world.

neroHIVE is available on iOS and Android as a web-based application with optional data storage, push notifications and customisable UI.



REGIONS



9 FREDA ROAD, BROMHOF, JOHANNESBURG, SOUTH AFRICA

sales@nerospec.com

+27 11 791 2320

