

## INTERNAL



## EXTERNAL



CONNECTOR

# neroNODE Temperature

Anytime, Anywhere Live Temperature Tracking

**This neroNODE is designed to track Temperature.** It allows you to track temperature sensitive assets from anywhere in the world with our integrated monitoring application. The neroNODE is a dual capable temperature tracking device with non-volatile memory. The neroNODE can be configured to store temperature data at set intervals between transmissions to allow in-depth analysis once an anomaly is detected. Available in 0.5°C and 0.1°C accuracy levels (Internal or External Sensor).

NODE FEATURES	SYSTEM ADVANTAGES	NODE PARAMETERS
<ul style="list-style-type: none"> <li>2-5 Year Battery Life</li> <li>Non-Volatile Memory</li> <li>Audible Notification</li> <li>IP67 Enclosure</li> <li>Internal USB Interface</li> <li>LoraWAN or Sigfox capable</li> <li>Motion/Vibration Detection</li> </ul>	<ul style="list-style-type: none"> <li>Onboard Logging</li> <li>Mounting Detector</li> <li>Battery Life Indicator</li> <li>Config Setup Wizard</li> <li>Hosting Included</li> <li>Dashboard Included</li> <li>2 Year Warranty</li> </ul>	<ul style="list-style-type: none"> <li>0.5°C Accuracy (0.1°C Optional)</li> <li>Configurable Transmission Interval</li> <li>Configurable Logging Interval</li> <li>Modes; Interval, Threshold, Hybrid</li> <li>&lt;5 Second Response Time</li> <li>1000+ Logging Event Buffer</li> <li>Primary Cell Battery Required</li> </ul>



### HOME USE



Deep Freeze/  
Refrigerator



Wine Cellar Monitoring



Pool/Fishpond  
Temperature



### ENTERPRISE USE



Cold Chain/Fresh Foods



Medical Sample Transport



Server/Hotel Room  
Temperature



### INDUSTRIAL USE



Cold Chain Shipping  
Containers



Cold Storage Warehousing



Plants & Mining  
Monitoring

## CERTIFICATION



# TECHNICAL SPECIFICATIONS

## FEATURES

LoRa Radio		Sigfox Radio	
<b>Operating Frequency Bands:</b>			
RC1 - 863-870MHz (EU868)	RC2 - 902-928MHz (US915)	RC4 - 915-928MHz (AU915-928)	
<b>Maximum Tx Gain:</b>			
20dBm (LoRa & Sigfox),			
<b>Minimum Rx Sensitivity: *</b>			
-122dBm Sigfox		-135,5dBm (LoRa)	
3.6V, 2600mAh AA battery			
<b>Operating Temperature Range:</b>			
-40°C~+85°C			
<b>Temperature Probe Range:</b>			
-55°C~+125°C			
<b>Accuracy:</b>			
±0,5°C (±0,1°C available on request),			

## INTERFACE & CONTROL

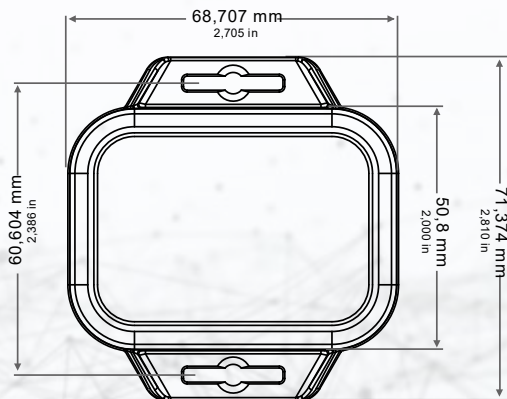
Description		Spec / Range / Type					
Battery Specifications		1x 2600mAh 3,6V AA battery					
LoRa Radio Frequency		RC1: 868,13 MHz	Class 0				
		RC2: 902.2 MHz	Class 1				
		RC4: 920.8 MHz	Class 1				
Sigfox Radio Frequency		RC1: 868,13 MHz	Class 0				
		RC2: 902,2 MHz	Class 1				
		RC4: 920,8 MHz	Class 1				
Sigfox Receive Sensitivity*		-122 dBm					
Sigfox Transmit Power		4,5 dBm (2,82 mW) To 20 dBm (100 mW)					
LoRa Transmit Power		10 dBm (10 mW) To 20 dBm (100 mW)					
BW\SF	06	07	08	09	10	11	12
125 kHz	-117,5	-122,5	-125,5	-128,5	-131,0	-133,5	-135,5
250 kHz	-114,0	-119,0	-122,0	-125,0	-127,5	-130,0	-133,0
The Spreading Factor(SF) using LoRa™ modulation *The NeroNODE range has only been Certified for Uplink on Sigfox							

## PHYSICAL CHARACTERISTICS:

IP67 Enclosure.		
<b>Height</b>	1.300in, 33.02mm	
<b>Length</b>	2.705in, 68.707mm	
<b>Width</b>	2.000in, 50.80mm	
<b>Weight</b>	<b>Without Battery:</b> 86g	<b>With Battery:</b> 105g

## BATTERY OPTIONS:

Manufacturer	Part Number	Voltage	Capacity
EVE	ER14505V	3,6 V	2,6 Ah
TADIRAN	SL-360	3,6 V	2,4 Ah
SAFT	LS14500	3,6 V	2,6 Ah



## Device to Dashboard (D2D) with the neroHIVE Software Service

Our D2D solution is one smart package. Simply purchase your neroNODE device, enter your details and start enjoying a connected world.

neroHIVE is available on iOS and Android as a web-based application with optional data storage, push notifications and customisable UI.



## REGIONS



9 FREDA ROAD, BROMHOF, JOHANNESBURG, SOUTH AFRICA

sales@nerospec.com

+27 11 791 2320

